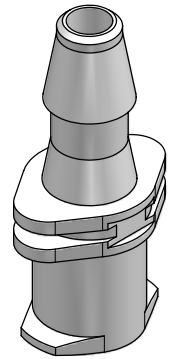
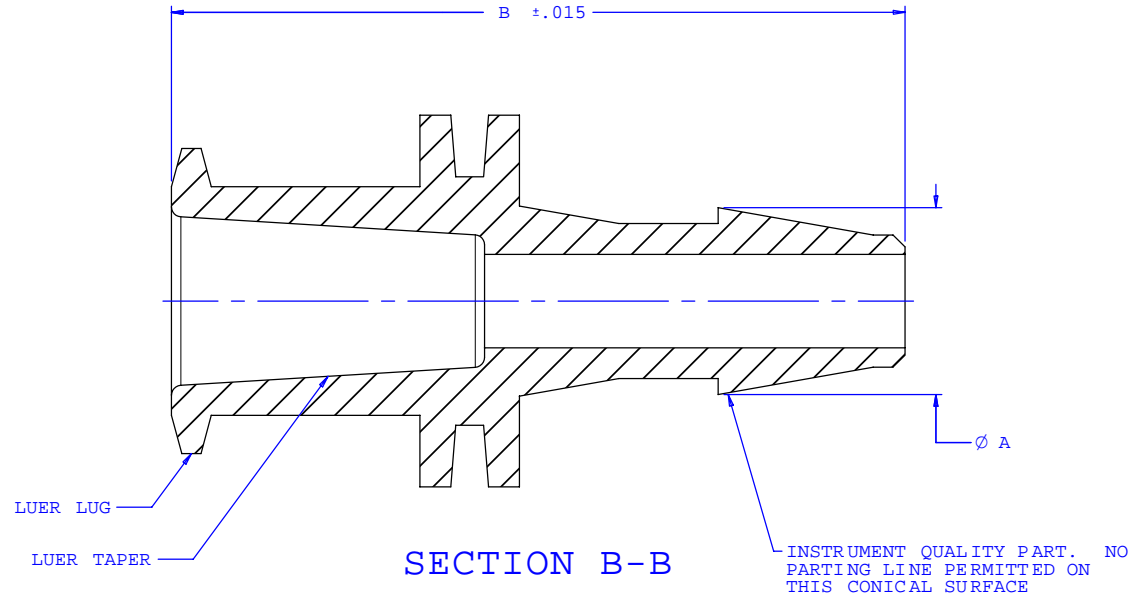
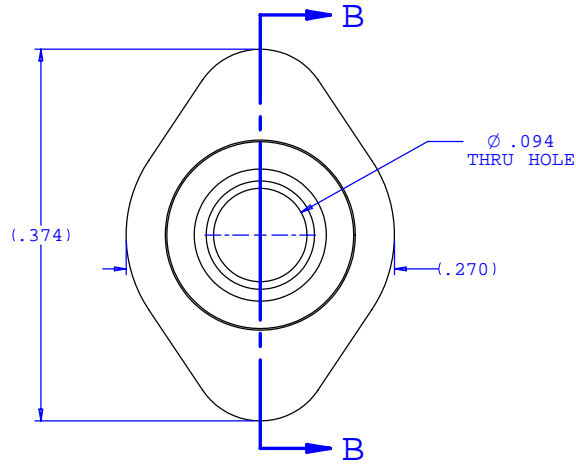


NOTE: FOR MORE DETAILS SEE YOUR V.P. CUSTOMER SERVICE REP.

REVISIONS			
REV.	DESCRIPTION	DATE	APPROVED
A	INITIAL RELEASE	09-09-97	
B	CO 016 Drafting Update		



Dimension	Material Specific Tolerances							
	Acetal	Nylon	PP	ABS	PC	PVC	Polysulfone	J1A
A	0.188	0.188	0.188	0.188	0.188	0.188	0.188	0.183
B	0.738	0.738	0.738	0.738	0.738	0.738	0.738	0.726
C								
D								
E								
F								

UNLESS OTHERWISE SPECIFIED DIMENSIONS ARE IN INCHES TOLERANCES ARE:		VALUE PLASTICS, INC.	
FRACTIONS ±	DECIMALS .XX ±.01 .XXX ±.005 .XXXX ±.001	ANGULAR ±1°	PART NUMBER: FTL230
DO NOT SCALE DRAWING		DESCRIPTION: Female Luer Lug Style to 200 Series Barb, 1/8" (3 mm) ID Tubing	
DRAWN BY: Frank Lombardi 05-02-05	DATE:	SIZE: B SCALE: NTS	DRAWING NUMBER: 1006512
Engineer Manager: Rick Cairns		© 2005 VALUE PLASTICS, INC.	REV. B SHEET: 1 OF 1

FOR REFERENCE ONLY